

15.6" Intel® Atom® Processors Fanless Configurable Panel PC



Open Frame



w/ Stainless Steel Front Bezel



w/ Aluminum Front Bezel

Specifications

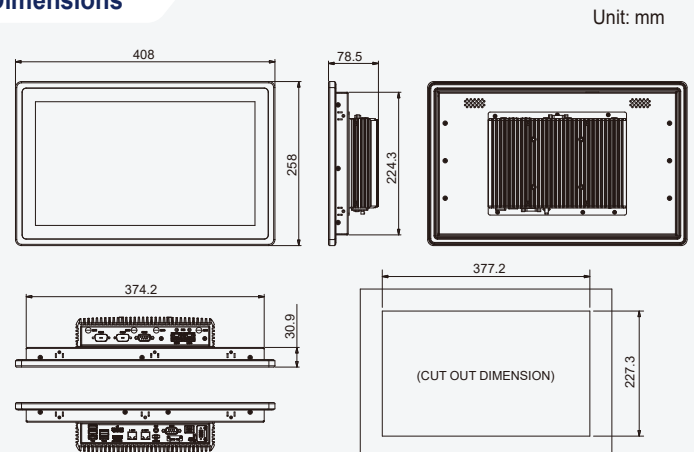


System	
	Intel® Celeron® J6412: 10w, 4C, 2.0GHz Intel® Atom® x6425RE: 12w, 4C, 1.9GHz Intel® Atom® x6212RE: 6w, 2C, 1.2GHz
Chipset	Intel® SoC
Memory	1 x DDR4 3200MHz SO-DIMM socket (up to 32GB) non-ECC
Storage	1 x 2.5" SATA III SSD/HDD 1 x M.2 2280 NVMe SSD
Front Bezel	Open Frame / Stainless Steel / Aluminum
IP Rating	IP65 (for front panel only)
Power	DC In 24V
Watchdog	1~255 seconds watchdog timer selectable
	Windows 11 IoT Enterprise LTSC 2024 Windows 10 IoT Enterprise LTSC 2021
Dimensions (W x H x D)	408 x 258 x 78.5mm with Stainless Steel or Aluminum bezel
Weight	5.4kg
Mount Type	Wall mount / VESA 75 / Panel mount
Certification	CE, FCC
Display	
LCD	15.6" Flat TFT LCD (LED) resolution 1920 x 1080
Touchscreen	Projected Capacitive / 5-wire analog resistive
I/O Ports	
Video	1 x HDMI® (up to 4K) 1 x DP (up to 4K)
USB	2 x USB 3.0 3 x USB 2.0
Serial Port	2 x COM (RS232/422/485)
LAN	LAN1 / LAN2: Intel® I225IT (Wake-on-LAN, PXE) LAN3 / LAN4: Intel® I211AT (Optional with PoE)
Expansion Slot	1 x mPCIe (Only accessible when LAN3 / LAN4 is disabled)
Audio	1 x Line Out
Power On/Off	1 x Power Button 1 x Remote Switch
Environment	
Operating Temperature (Ambient with airflow)	-20°C~50°C (-4°F~122°F) with Atom Processor and Wide-Ranged Temperature SSD 0°C~40°C (32°F~122°F) with Celeron Processor
Storage Temperature	-40°C~80°C (-40°F~185°F)
Storage Humidity	20%~90%

Features

- Intel® Celeron® J6412 / Atom® X6425RE / X6212RE Processor
- Selectable in Open Frame mode or with Stainless Steel / Aluminum Front Bezel
- Front Panel IP Rating: IP65
- Solid Fanless System
- Two external 4K displays output via 1 x HDMI® and 1 x DP
- Multiple I/O ports: Up to 4 x LAN / 5 x USB / 2 x COM
- High brightness LCD (optional)
- TPM module (optional)

Dimensions



I/O Connectors

